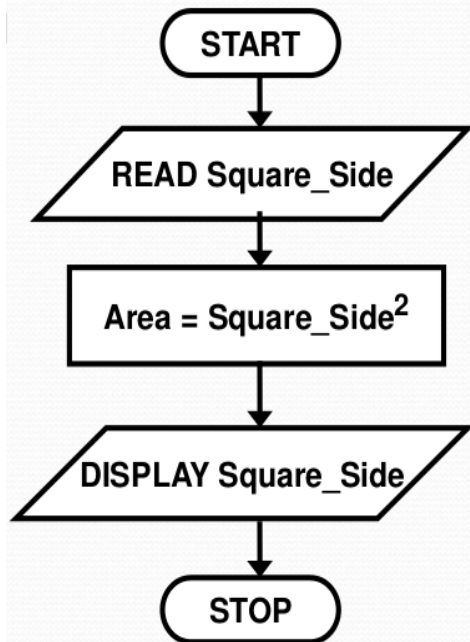


CS101: Introduction to Computer

Examples of Flowchart → PASCAL



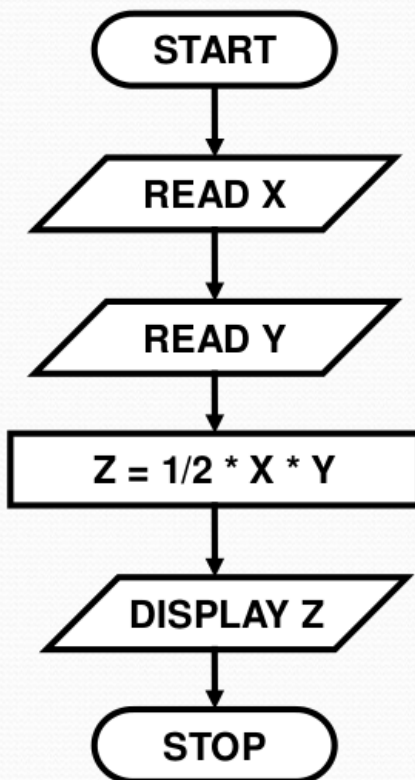
```
Program square;  
uses WinCrt;  
var Square_side, Area: real;  
begin
```

```
  write('please input side length:');  
  readln(Square_side);
```

```
  Area := Square_side * Square_side;
```

```
  writeln(Square_side);
```

```
end.
```



```
Program triangle;  
uses WinCrt;  
var x,y,z:real;
```

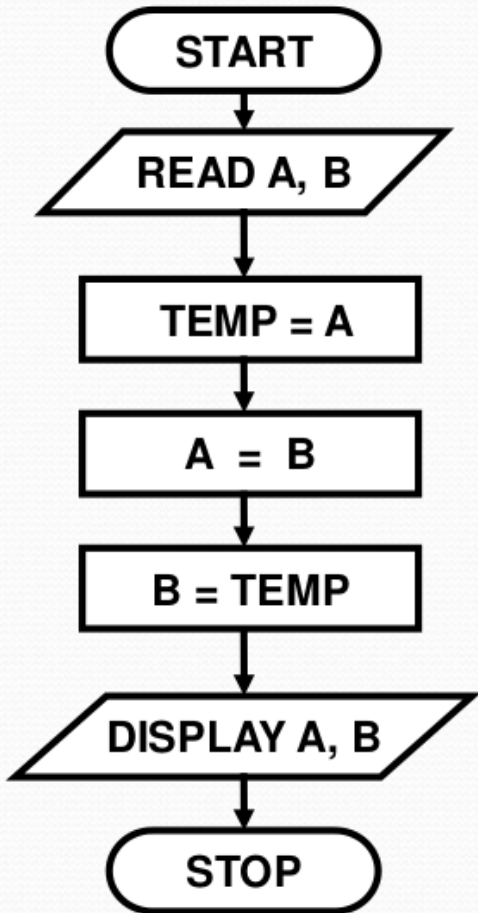
```
begin  
  write('input x:');  
  readln(x);
```

```
  write('input y:');  
  readln(y);
```

```
  z := 0.5 * x * y;
```

```
  writeln(z);
```

```
end.
```



```

Program swap;
uses WinCrt;
var a,b,temp:real

begin
  write('input a:');
  readln(a);
  write('input b:');
  readln(b);

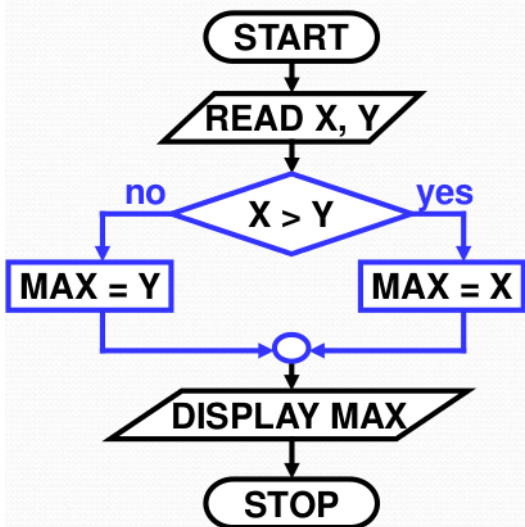
  temp := a;

  a := b;

  b := temp;

  writeln(a, b);

end.
  
```



```

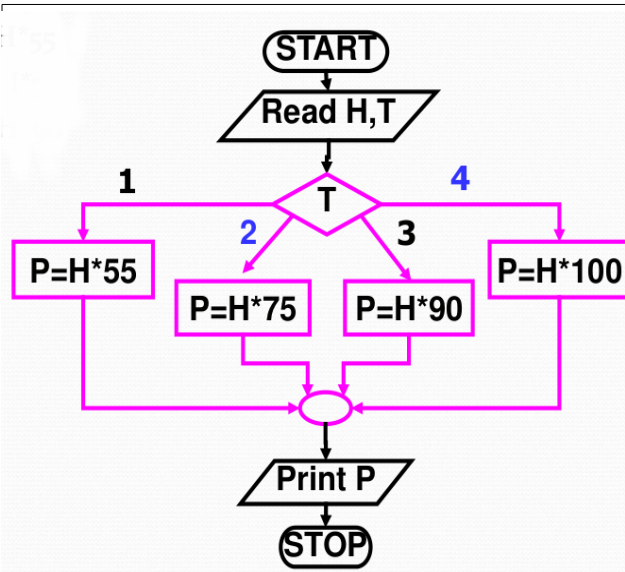
Program decide;
uses WinCrt;
var x,y,max:real;

begin
  write('input x:'); readln(x);
  write('input y:'); readln(y);

  if x > y then
    max := x
  else
    max := y;

  writeln(max);

end.
  
```



```

Program testcase;
uses WinCrt;
var h,t,p:integer;

begin
  write('input h:'); readln(h);
  write('input t:'); readln(t);

  case t of
    1: p := h * 55;
    2: p := h * 75;
    3: p := h * 90;
    4: p := h * 100;
  end;

  writeln(p);

end.

```